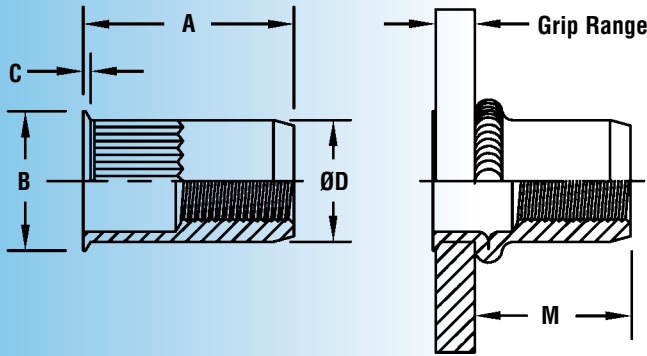


ATLAS® Type AEKC

AEKC-610
Rev. 810

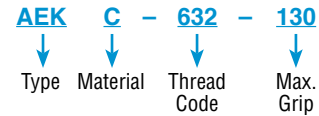
SpinTite® - Minimized-profile head



Features and Benefits

- 300 Series Stainless Steel insert for superior corrosion resistance.
- Feature a large diameter, low-profile head and knurled shank.
- Offers highest all around strength.
- Installed with spin/pull tooling.

PART NUMBER DESIGNATION



All dimensions are in inches.

Thread Size	Part Number	Grip Range	A ±.015	B ±.010	C ±.003	ØD +.000 -.006	M Ref.	Hole Size In Sheet +.006 -.000
#6-32	AEKC-632-80 (1)	.020 - .080	.436	.297	.020	.265	.311	.266
#6-32	AEKC-632-130	.080 - .130	.486	.297	.020	.265	.311	.266
#8-32	AEKC-832-80 (1)	.020 - .080	.436	.297	.020	.265	.311	.266
#8-32	AEKC-832-130 (1)	.080 - .130	.486	.297	.020	.265	.311	.266
#10-24	AEKC-1024-120 (1)	.020 - .120	.494	.329	.020	.296	.324	.297
#10-24	AEKC-1024-200 (1)	.120 - .200	.581	.329	.020	.296	.331	.297
#10-32	AEKC-1032-120	.020 - .120	.494	.329	.020	.296	.324	.297
#10-32	AEKC-1032-200	.120 - .200	.581	.329	.020	.296	.331	.297
#10-32	AEKC-1032-260	.200 - .260	.684	.329	.020	.296	.354	.297
1/4-20	AEKC-420-130	.027 - .130	.637	.435	.025	.390	.441	.391
1/4-20	AEKC-420-225	.130 - .225	.736	.435	.025	.390	.445	.391
1/4-20	AEKC-420-280	.225 - .280	.820	.435	.025	.390	.474	.391
5/16-18	AEKC-518-150 (1)	.027 - .150	.786	.594	.033	.530	.546	.531
5/16-18	AEKC-518-260 (1)	.150 - .260	.902	.594	.033	.530	.552	.531
3/8-16	AEKC-616-150 (1)	.027 - .150	.786	.594	.033	.530	.546	.531
3/8-16	AEKC-616-260	.150 - .260	.902	.594	.033	.530	.552	.531

All dimensions are in millimeters.

Thread Size	Part Number	Grip Range	A ±0.38	B ±0.25	C ±0.08	ØD +.000 -.015	M Ref.	Hole Size In Sheet +.015
M4 x 0.7	AEKC-470-2.0 (1)	0.5 - 2.0	11.07	7.55	0.50	6.73	7.9	6.75
M4 x 0.7	AEKC-470-3.3 (1)	2.0 - 3.3	12.34	7.55	0.50	6.73	7.9	6.75
M5 x 0.8	AEKC-580-3.0 (1)	0.5 - 3.0	12.56	8.35	0.50	7.52	8.3	7.60
M5 x 0.8	AEKC-580-5.1 (1)	3.0 - 5.1	14.76	8.35	0.50	7.52	8.4	7.60
M6 x 1	AEKC-610-3.3 (1)	0.7 - 3.3	16.17	11.05	0.65	9.91	11.2	10.0
M6 x 1	AEKC-610-5.7 (1)	3.3 - 5.7	18.69	11.05	0.65	9.91	11.3	10.0
M8 x 1.25	AEKC-8125-3.8 (1)	0.7 - 3.8	19.96	15.10	0.85	13.46	13.9	13.5
M8 x 1.25	AEKC-8125-6.6 (1)	3.8 - 6.6	22.90	15.10	0.85	13.46	14.0	13.5
M10 x 1.5	AEKC-1015-3.8 (1)	0.7 - 3.8	19.96	15.10	0.85	13.46	13.9	13.5
M10 x 1.5	AEKC-1015-6.6 (1)	3.8 - 6.6	22.90	15.10	0.85	13.46	14.0	13.5

(1) Not stocked, available on special order.

Material & Finish Specifications

Fastener Material: 300 Series Stainless Steel **Finish:** Passivated
Threads: Unified, 2B per ASME B1.1 Metric, 6H per ASME B1.13M

Specifications subject to change without notice.



PennEngineering®

North America: Danboro, PA USA • E-mail: atlas@pemnet.com • Tel: +1-215-766-5987 • Fax: +1-215-766-5988 • 877-682-2505 (USA Only)
Europe: Galway, Ireland • E-mail: europe@pemnet.com • Tel: +353-91-751714 • Fax: +353-91-753541
Asia/Pacific: Singapore • E-mail: singapore@pemnet.com • Tel: +65-6-745-0660 • Fax: +65-6-745-2400
Shanghai, China • E-mail: china@pemnet.com • Tel: +86-21-5868-3688 • Fax: +86-21-5868-3988



Visit our PEMNET™ Resource Center at www.pemnet.com

© 2010